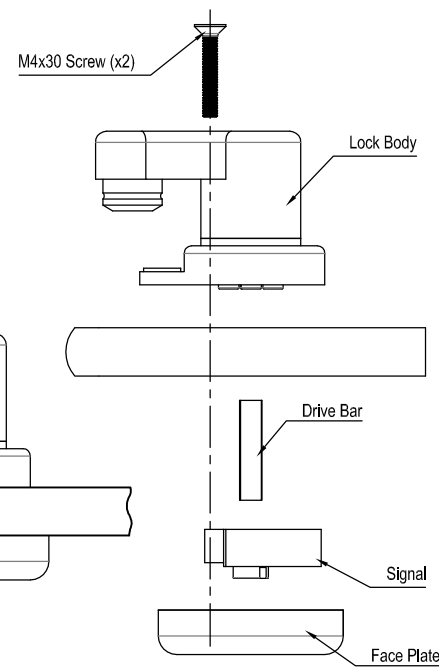


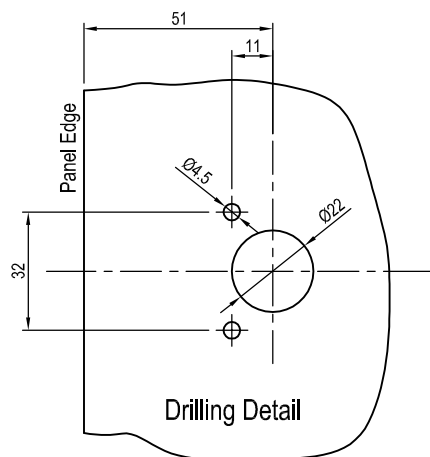
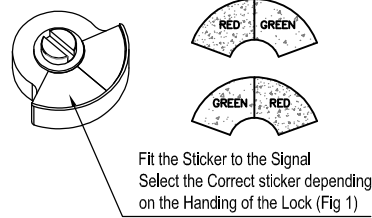
Toilet Cubicles Online - A Pk PPC 12-13mm

IB12P121302 IB12 Indicator Bolt



Choose either of the 2 Movement Restrictor Screw Positions to alter the Handing of the Lock

Fig. 1



Fitting Sequence

1. Decide the centre height of the indicator bolt (this is usually a matter of personal preference). Mark off and machine the Panel as shown on the drawing.

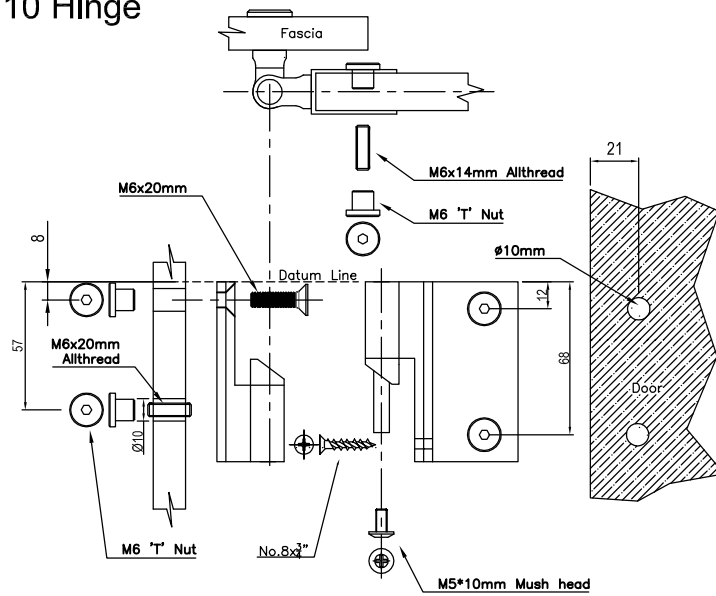
NOTE: The Indicator handle lock/unlock position can be changed by moving the position of the movement restrictor screw. (see Fig. 1) Once satisfied that the orientation of the Lock/unlock is correct apply the signal sticker to give the correct Locked/unlocked indication.

2. Fit the Drive Bar into the drive square in the indicator handle.

Offer the Lock Body to the Panel, align the screws holes and and locate in position using the M4 Screws. Position the signal in the face plate and offer it up to the panel, tighten the M4 Screws to clamp the Latch Assembly together.

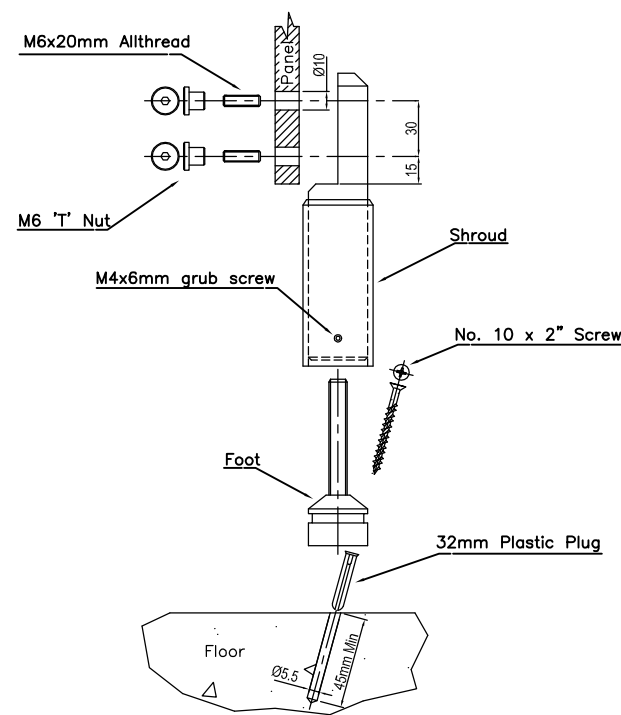
3. Close the door and check the operation of the Latch.

H1013P H10 Hinge



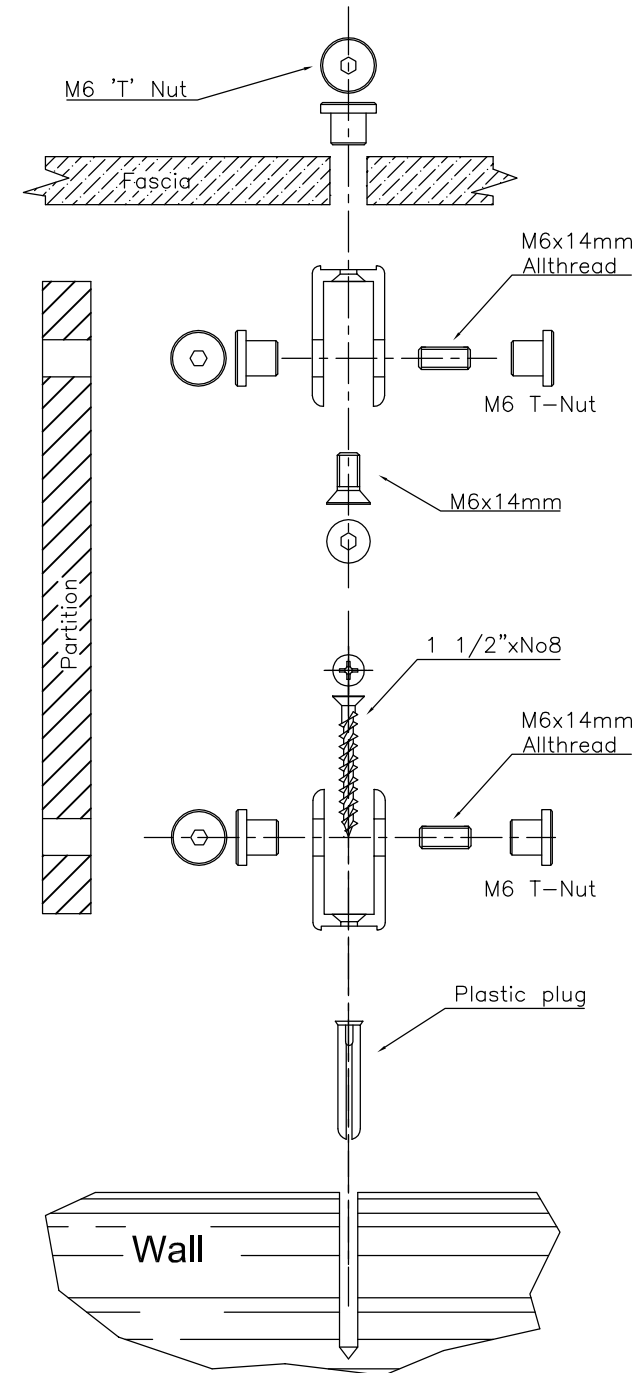
1. The hinges are fixed through the fascia and door. Prior to fitting the hinges it is necessary to decide on the 'fall' of the doors, eg Fall open, closed or ajar.
2. Once this has been decided the nylon cam in the fascia hinge can be knocked out, turned and re-fitted to give the desired 'fall'. Note: the hinges are supplied in the fall open setting.
3. The door and fascia will need pre-drilling to fit the hinges, all details are provided on the above drawing. It is important to be accurate when drilling for the hinges to ensure quiet and trouble free operation.
4. After pre-drilling the panels, the hinge can be dismantled by removing the screw in the end of the hinge pin and gently pulling the two halves apart. When fitting the hinges you should try and align the relevant pieces as vertical as possible to prevent binding (with the door component having the hinge pin pointing to the bottom of the cubicle).
5. Once aligned vertically the hinges can be secured in the vertical position using the 19mm screws provided.
6. The door can now be lifted into place and lowered onto the fascia hinges until it is resting on the cams. Try the door to ensure correct operation of the hinges and, once satisfied secure the top and bottom hinges with the 10mm machine screws removed at stage 4

L06150P - L6 Leg



1. Mark off the vertical centreline of the leg onto the fascia and drill the two 10mm dia holes and fit the leg as shown in the drawing.
2. Loosen the small retaining screw on the base of the leg and raise up the shroud to access the adjusting mechanism of the leg. Screw the foot up into the leg as far as it will allow.
3. The partition can now be offered up to the wall mounting brackets and using packing pieces set the required height (nominally 150mm).
4. The foot in the leg can now be adjusted down to the floor level until it takes the weight off the packing pieces. It can now be secured to the floor by drilling through the angle hole in the foot with a 5.5mm masonry drill, the holes need to be at least 45mm deep.
5. Push the red plug into the floor hole and secure the leg using the screw provided.
6. Lower the shroud in the leg until it is resting on the floor and secure using the small screw on the side of the leg.

BCG1P - Wall Brackets BCG2P - Fascia Brackets



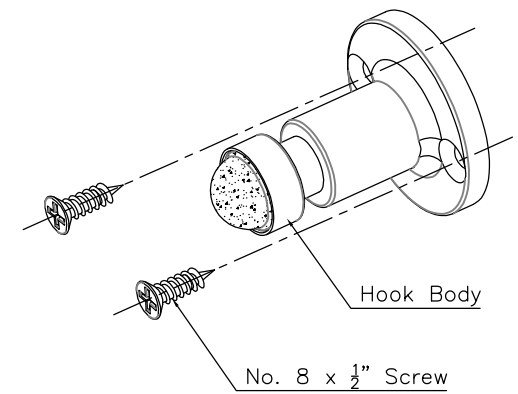
Wall Brackets

1. Mark off the centreline position on the wall.
2. Determine the position of the brackets on the centreline and mark the two hole positions per bracket.
3. Drill the holes 5.5Ø to a minimum depth of 50mm.
4. Insert the six plastic plugs into the holes.
5. Secure the brackets to the wall plugs using the 1 1/2" x No8 screws provided.
6. Set the Partition into the Wall Brackets and pack up to the required height (Nominally 150mm)
7. The partition can now be fixed to the Wall Brackets by drilling through the Brackets and Panel with a Ø10mm Drill. Secure the Partition to the Brackets using the M6x14mm All Threads & T Nuts Provided.

Fascia Brackets

1. Determine the vertical Centre Line position of the brackets on the fascia and mark off the three fixing hole positions.
2. Use a Ø10mm drill through the fascia panel in 3 places.
3. Secure the brackets to the fascia with the 3 Csk M6 Screws and T-Nuts provided.
4. The Fascia should now be offered up to the forward end of the Partition, check the level and height are correct.
5. Drill through Brackets and Partition using a Ø10mm drill.
6. Secure the panel to the brackets using the T Nuts & M6 All Thread provided as shown above.

3601HOOK13P - Coat Hook



1. Establish the required position of the hook on the back of the door.
2. Mark the position, and drill two pilot holes, making sure not to break through the laminate.
3. Fix the coat hook with the two 12mm screws provided.